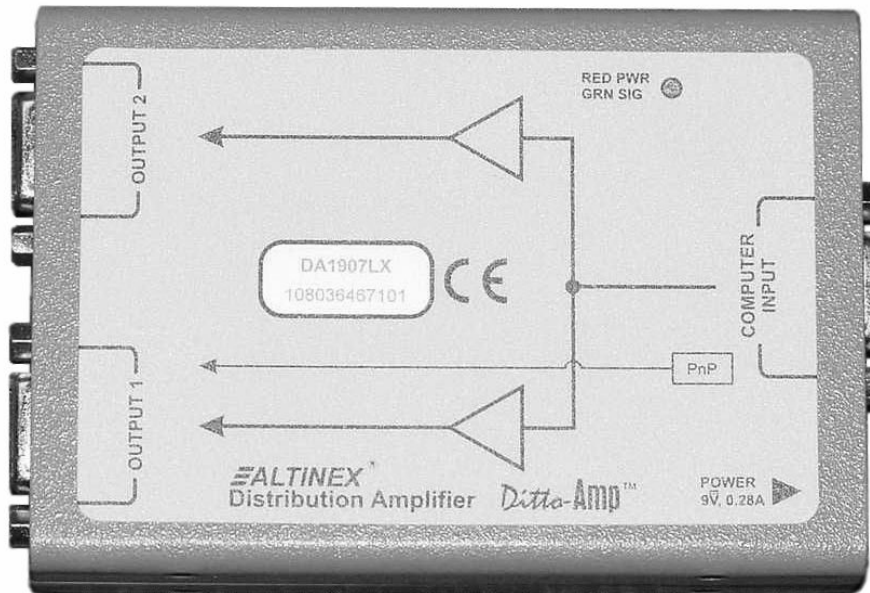


DISTRIBUTION AMPLIFIER



MANUAL PART NUMBER: 400-0045-006

DA1907LX

**DITTO-AMP, 1-IN 2-OUT VGA
DISTRIBUTION AMPLIFIER
USER'S GUIDE**

ALTIMEX[®]

SIGNAL
MANAGEMENT
SOLUTIONS[®]

Tel: 714-990-2300 • Toll-Free: 1-800-ALTIMEX • FAX: 714-990-3303 • E-mail: solutions@altinex.com • Web: www.altinex.com

DISTRIBUTION AMPLIFIER

TABLE OF CONTENTS

	Page
PRECAUTIONS / SAFETY WARNINGS	2
GENERAL.....	2
HANDLING	2
CLEANING.....	2
FCC NOTICE	2
ABOUT YOUR DA1907LX	3
TECHNICAL SPECIFICATIONS.....	3
PRODUCT DESCRIPTION	5
APPLICATION DIAGRAMS	6
DIAGRAM 1: TYPICAL SETUP	6
DIAGRAM 2: INTERNAL VIEW	6
INSTALLING YOUR DA1907LX.....	7
OPERATION.....	7
TROUBLESHOOTING GUIDE	7
LED IS NOT RED	7
LED IS NOT GREEN	7
NO REMOTE IMAGE	8
POOR IMAGE QUALITY	8
ALTINEX POLICIES	8
LIMITED WARRANTY/RETURN POLICIES	8
CONTACT INFORMATION	8

DISTRIBUTION AMPLIFIER

PRECAUTIONS / SAFETY WARNINGS 1

Please read this manual carefully before using your **DA1907LX** and keep it handy for future reference. These safety instructions are to ensure the long life of your **DA1907LX** and to prevent fire and shock hazards. Please read them carefully and heed all warnings.

1.1 GENERAL

- Do not open the unit or power supply case; there are high-voltage components inside.
- There are no user serviceable parts inside. Qualified ALTINEX service personnel must perform all service on the **DA1907LX**.

1.2 HANDLING

- For best results, place the **DA1907LX** on a flat, leveled surface in a dry area away from dust and moisture.
- To prevent fire or shock, do not expose this unit to water or moisture. Do not place the **DA1907LX** in direct sunlight, near heaters, or heat-radiating appliances, or near any liquid. Exposure to direct sunlight, smoke, or steam can harm internal components.
- Handle the **DA1907LX** carefully. Dropping or jarring can damage the unit.
- Do not pull any cables that are attached to the **DA1907LX**.
- Do not place heavy objects on top of the **DA1907LX**.
- If the **DA1907LX** Interface is not used for an extended period, disconnect the adapter from the wall to avoid fire, shock, and loss of power.

1.3 CLEANING

- Unplug the **DA1907LX** adapter before cleaning.
- Clean only with a dry cloth. Never use strong detergents or solvents such as alcohol or thinner. Do not use a wet cloth or water to clean the unit. Do not open the unit to clean.

1.4 FCC NOTICE

- This device complies with Part 15 of the FCC Rules. Operation is subject to the following two conditions: (1) This device may not cause harmful interference, and (2) this device must accept any interference received, including interference that may cause undesired operation.
- This equipment has been tested and found to comply with the limits for a Class A digital device, pursuant to Part 15 of the FCC Rules. These limits are designed to provide reasonable protection against harmful interference when the equipment is operated in a commercial environment. This equipment generates, uses, and can radiate radio frequency energy and if not installed and used in accordance with instructions found herein, may cause harmful interference to radio communications. Operation of this equipment in a residential area is likely to cause harmful interference in which case the user will be required to correct the interference at his own expense.
- Any changes or modifications to the unit not expressly approved by ALTINEX, Inc. could void the user's authority to operate the equipment.

DISTRIBUTION AMPLIFIER

ABOUT YOUR DA1907LX

2

DA1907LX

Ditto-Amp, 1-In 2-Out VGA Distribution Amplifier

The **DA1907LX (Ditto-Amp)** is a high-resolution, 1-In 2-Out Distribution Amplifier designed to allow the connection of a single VGA-UXGA source to up to two scan-rate compatible displays. Very high-resolution video signals are able to pass without degradation in the image quality.

The **DA1907LX** offers a female 15-pin HD input featuring native Plug & Play compatibility with Output 1. An internal Plug & Play memory option may be selected at purchase for applications where using the Plug & Play feature of the remote device is not desired.

Compact and easy to use, the **DA1907LX** is perfect for audiovisual installations where a single computer needs to be connected to a projector (or presentation monitor) and a local monitor simultaneously. The **DA1907LX** has female 15-pin HD (VGA-type) connectors on all input and output connectors so it can be used with readily available standard VGA-type cables. If desired, the input and/or output of the **DA1907LX** can be easily adapted to 5 BNC connectors through ALTINEX adapter cables.

The **DA1907LX** is compatible with RGsB, RGBS, and RGBHV signal types, and using the proper cable type the **DA1907LX** can be used with MAC, SUN, or SGI platform computers.

TECHNICAL SPECIFICATIONS

3

Specifications are subject to change.

See www.altinex.com for up-to-date information.

FEATURES/DESCRIPTION	DA1907LX
GENERAL	
Inputs	
Input Connector	15-pin HD female (1)
Outputs	
Outputs 1 & 2	15-pin HD Female (2)
Power	
DC Power	2.5 mm jack (1)
Compatibility	
Signal Types	RGB, RGsB, RGBS, RGBHV, YPbPr, MAC, SUN, SGI
Video Signal Resolutions	VGA through UXGA and 480p through 1080i
Accessories Included	
3 ft (1 m) Video Cable	15-pin HD M-M
Power Adapter	+9VDC, 1.1 A

Table 1. **DA1907LX** General

DISTRIBUTION AMPLIFIER

MECHANICAL	DA1907LX
Material	0.1 in Al
Finish	Gray
Top Panel	Lexan
Height	3.0 in (76 mm)
Width	4.5 in (114 mm)
Depth	1.0 in (25 mm)
Weight	0.5 lb (0.2 kg)
Shipping Weight (approx.)	1.0 lb (0.5 kg)
T° Operating	10°C-35°C
T° Maximum	45°C
Humidity	90% non-condensing
MTBF (calculations)	40,000 hrs

Table 2. DA1907LX Mechanical

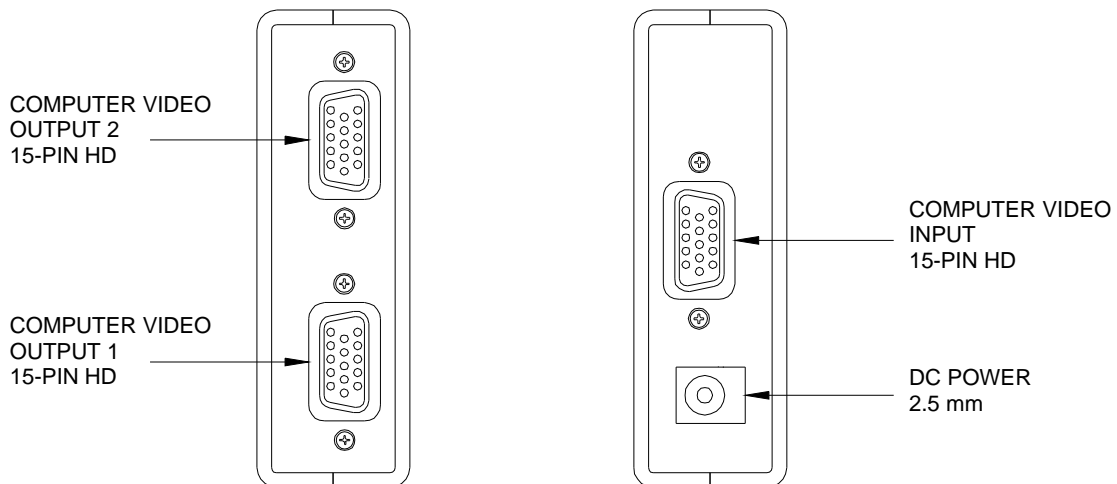
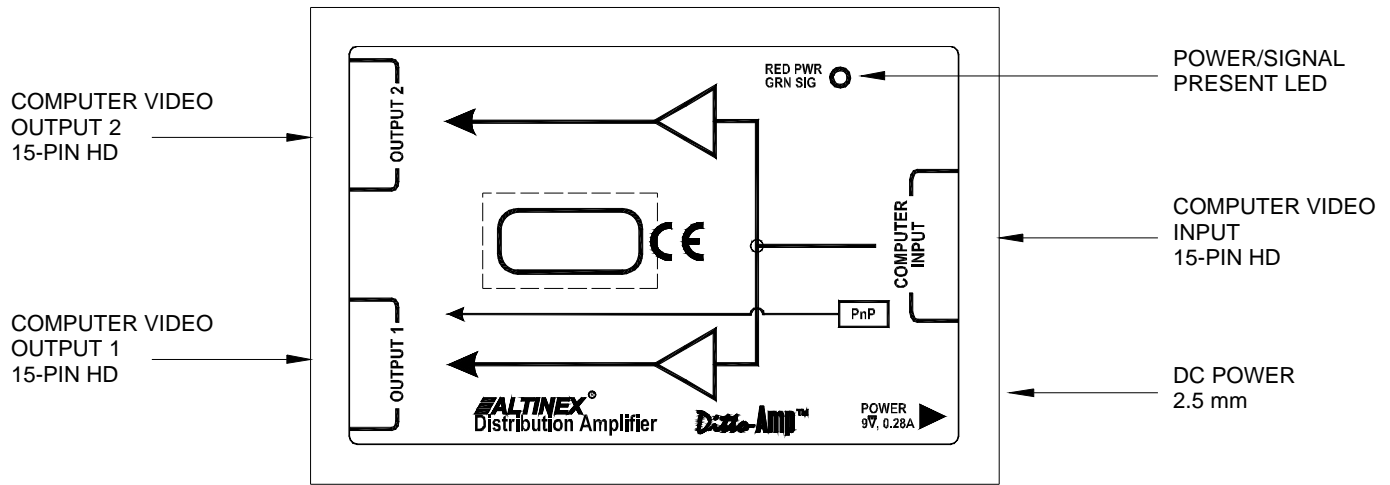
ELECTRICAL	DA1907LX
Input Video Signal	
Analog Signal Level	1.5 Vp-p max
Impedance	75 ohms
Coupling	DC
Input Sync Signal	
Horizontal/Vertical or Composite	TTL (+/-)
Sync on Green	-0.3 V
Impedance	10 kohms
Output Video Signals	
Gain	0 dB +/- 0.5 dB
Impedance	75 ohms
Coupling	DC
Output Sync Signals	
Horizontal/Vertical or Composite	TTL (+/-)
Sync on Green	-0.3 V
Impedance	10 kohms
Power Consumption	
External Adapter: 9 VDC	280 mA (2.5 W max.)

Table 3. DA1907LX Electrical

DISTRIBUTION AMPLIFIER

PRODUCT DESCRIPTION

4



DISTRIBUTION AMPLIFIER

APPLICATION DIAGRAMS

5

DIAGRAM 1: TYPICAL SETUP

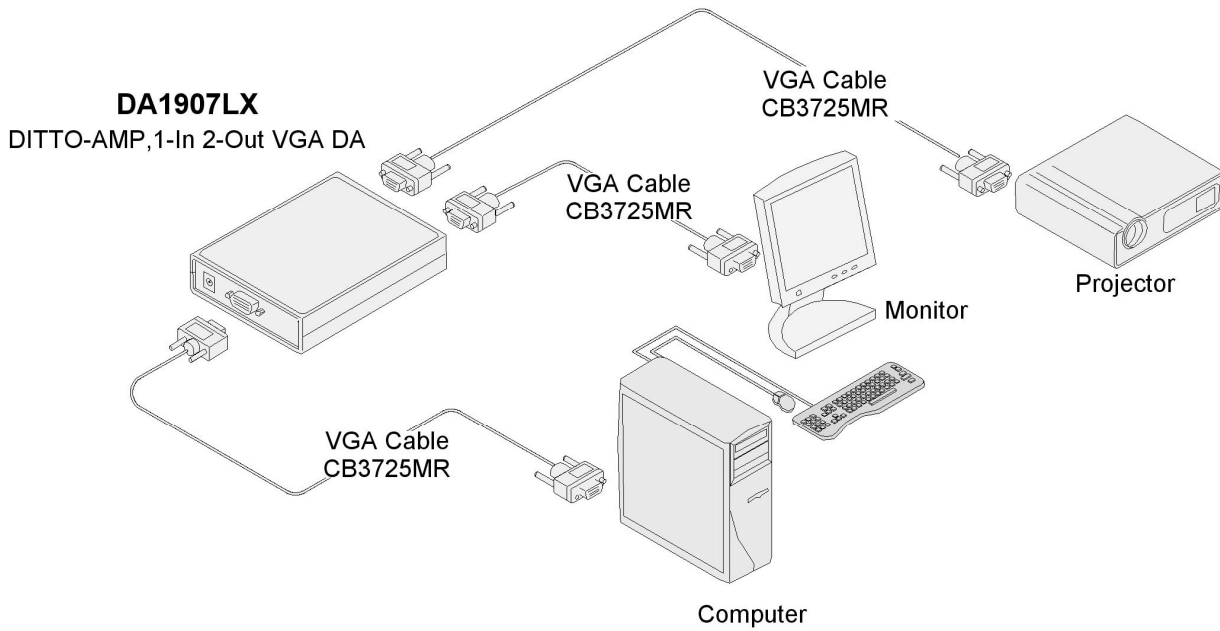
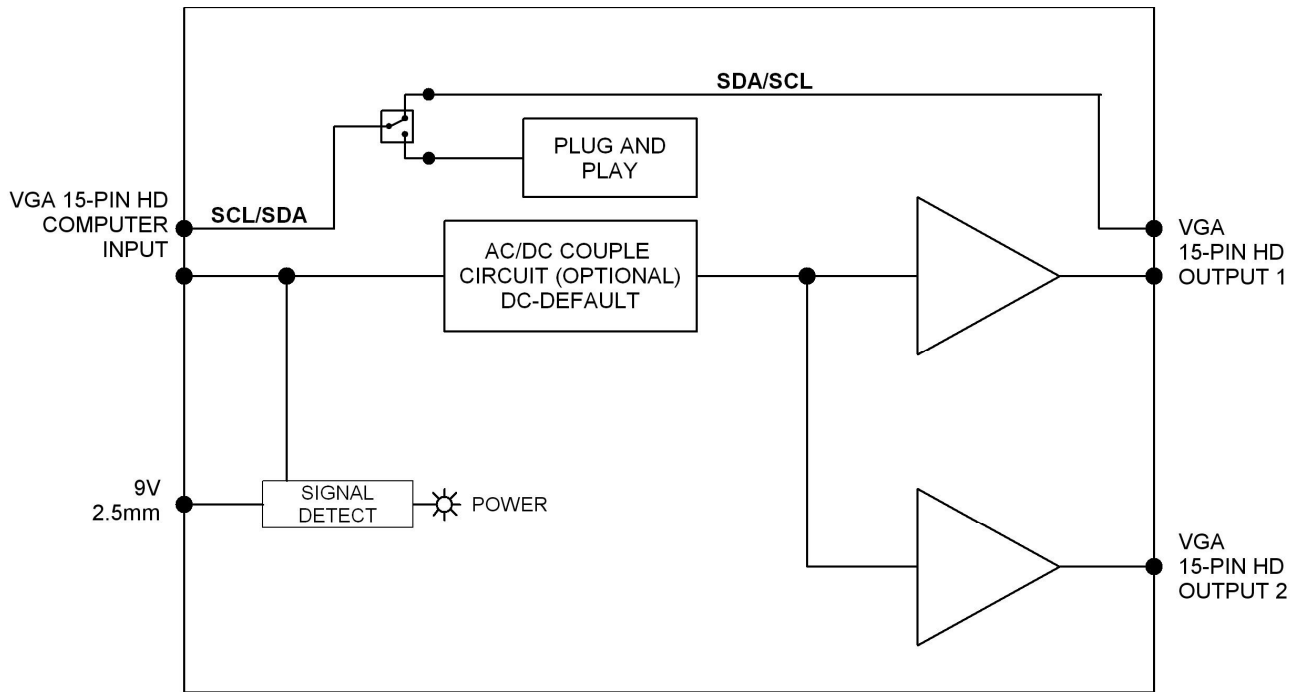


DIAGRAM 2: INTERNAL VIEW



DISTRIBUTION AMPLIFIER

INSTALLING YOUR DA1907LX 6

- Step 1.** Connect the +9V AC adapter input to AC voltage and the output plug to the **DA1907LX**. Verify the LED in the top right corner of the unit's front panel turns on and RED.
- Step 2.** Connect the video output from the computer to the computer input connector on the **DA1907LX** using the cable provided. If a longer cable is required, make sure that the cable uses internal coaxial cables and that the cable is not excessively long.
- Step 3.** Verify the LED on the face of the unit changes from RED to GREEN indicating an active signal is present. If the LED is not GREEN, the computer may not be sending video signals.
- NOTE:** If using a laptop computer, the laptop may need to be set to output to the display to the external video port manually.
- Step 4.** Connect the display devices (monitors and/or projectors) to Outputs 1 & 2 of the **DA1907LX**.
- Step 5.** Verify the picture quality on both displays is good. If there is no signal, make sure that the display is compatible with the resolution of the computer graphics card.
- Step 6.** The DA1907LX is now operational.

OPERATION 7

The **DA1907LX** requires no adjustments for performance. Once set-up, the **DA1907LX** will work trouble-free without user intervention.

TROUBLESHOOTING GUIDE 8

We have carefully tested and have found no problems in the supplied **DA1907LX**; however, we would like to offer suggestions for the following:

8.1 LED IS NOT RED

The LED should be ON and RED when power is applied and ON and GREEN when the unit is receiving power and a SYNC signal.

Cause 1: There is no AC power.

Solution: Verify the supplied adapter is plugged into a working AC outlet and that the outlet has power.

Cause 2: The adapter is not connected.

Solution: Verify the DC power plug coming from the AC adapter is plugged all the way into the **DA1907LX**.

Cause 3: The DA1907LX has a problem.

Solution: If there is AC power to the adapter and the LED still does not turn on, the **DA1907LX** or the power adapter may require service. Call ALTINEX at (714) 990-2300.

8.2 LED IS NOT GREEN

Cause 1: There is no power.

Solution: Disconnect the video input from the **DA1907LX** and verify the LED is ON and RED indicating power is present. Reconnect the computer's video output. If the LED is still not GREEN see Cause 2.

Cause 2: There is no Sync signal.

Solution: Verify the computer output is operating correctly by connecting it directly to a local monitor. If the display is good, call ALTINEX at (714) 990-2300.

8.3 NO REMOTE IMAGE

Cause 1: The source has a problem.

Solution: Check the image on a local monitor and verify the quality is good. If the local image is good, see Cause 2.

Cause 2: Cable connections are incorrect.

Solution: Make sure that all the cables are connected properly and that the continuity and wiring are good. If there is still no image, call ALTINEX at (714) 990-2300.

8.4 POOR IMAGE QUALITY

Cause 1: The source has a problem.

Solution: Check the image on the local monitor and verify the quality is good. If the local image is good, see Cause 2.

Cause 2 Signal transmission is poor.

Solution: Check the cables for continuity and make sure that connections are wired properly. If the image is still not correct, call ALTINEX at (714) 990-2300.

ALTINEX POLICIES

9

9.1 LIMITED WARRANTY/RETURN POLICIES

Please see the ALTINEX website at www.altinex.com for details on warranty and return policies.

9.2 CONTACT INFORMATION

ALTINEX, Inc.

592 Apollo Street

Brea, CA 92821 USA

TEL: 714 990-2300

TOLL FREE: 1-800-ALTINEX

WEB: www.altinex.com

E-MAIL: solutions@altinex.com